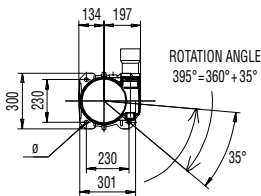
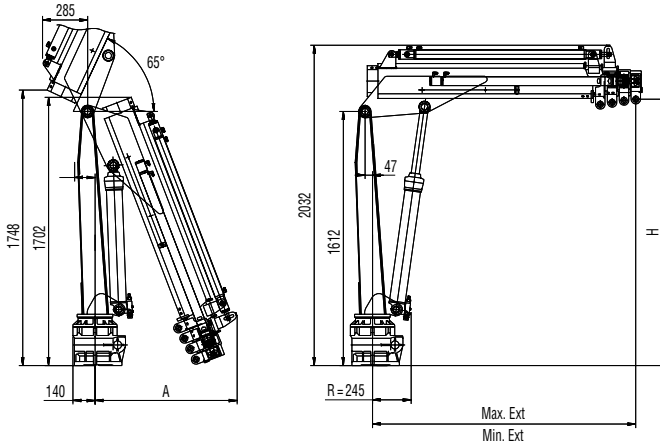


605 T



AMCO  **VEBA**
LIFTING BEYOND HORIZONS

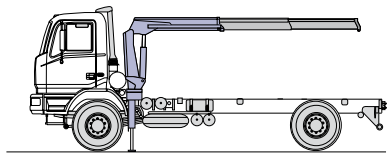
Technical data



VERSION	A [mm]	H [mm]	MinExt [mm]	MaxExt [mm]
1S	836	1657	1443	2503
2S	900	1670	1518	3638
3S	900	1682	1593	4773
4S	900	1690	1668	5908

VERSION	kg	m	kg	m	kg	m	kg	m	kg	m				
1S	3450*	1,00	2390	1,44	1380	2,50	935	3,64	690	4,77	530	5,91	405	7,01
2S	3430*	1,00	2255	1,52	1310	2,58	925	3,64	690	4,77	530	5,91	405	7,01
3S	3390*	1,00	2130	1,59	1250	2,65	875	3,71	675	4,77	530	5,91	405	7,01
4S	3360*	1,00	2010	1,67	1185	2,73	830	3,79	635	4,85	520	5,91	405	7,01

*) theoretical lifting capacity



Recommended truck:
M.T.T. ton 3,5 - G.V.W. ton 3,5



Standard

- Designed in accordance with EN12999+EN13849
- Design class: HC1-HD4
- Load limiting device (CE)
- Hexagonal section extensions
- Flanged valve
- Assembly kit
- Control panel with customizable position
- ABS protective cover on controls
- Worm and gear rotation
- Fittings SAE-JIC
- Sliding pads on telescopic extensions
- Self-lubricating bushings
- Independent telescopic cylinders
- Light indicator for correct stabilizer stowing (CE)
- Mechanical rotation limitation (CE)
- Swivel stabilizer foot
- A Class - Crane Control System (CE)
- LED panel - Human Machine Interface

	Lifting Moment	Swiveling Angle	Working pressure	Oil tank capacity	Oil flow	Max Vertical Reach (Hydr)	Crane weight without stabilizers
	tm	°	bar	l	l/min	m	kg
1S	3,45	395	175	17,5	10	3,94	305
2S	3,43	395	175	17,5	10	4,98	339
3S	3,39	395	175	17,5	10	6,01	371
4S	3,36	395	175	17,5	10	7,04	399



H.C.E. SpA
Via Einstein, 4
42028 Poggio (RE) Italy
Tel. +39 0522 40.80.11
Fax +39 0522 40.80.80
info@amcoveba.it
commerciale@amcoveba.it
www.amcoveba.com



Dealer

Data, descriptions, and illustrations pertain only and uniquely to models sold at the time of printing of this brochure. After the date of printing, this information is purely indicative and not binding upon H.C.E. Future modifications are solely at the discretion of H.C.E. and are always in compliance with applicable and pertinent safety standards. To obtain updated data, descriptions and illustrations, contact the manufacturer or your reseller. Cranes manufactured and/or marketed by H.C.E. are not responsible for the special applications depicted. Crane applications and accessories described herein are only examples. Some applications and equipment shown may not be approved for use in CE countries or other areas. It is the installer's responsibility to ensure that the crane is applied correctly, and that its application, installation, and accessories maintain safety and comply with all local laws.